

**HOW TO USE YOUR
2500 RANGE
L.P.G. COOKER
OR HOB UNIT**

CAUTION

These instructions must be read and understood before proceeding with the installation and to avoid any possibility of accident it is essential that the appliances are installed and operated in accordance with these instructions

No unit should be installed in a room, van or craft if fixed ventilation is not provided.

No alterations or adjustments should be made to the burners or gas supply pressure by unauthorised or unskilled persons. In the event of a failure or breakdown of a unit itself, turn off the gas supply at the cylinder or isolating cock valve for the unit and contact the supplier.

Do not remove any parts from the appliance or substitute alternatives as this may affect the performance and safety of the appliance.

The installation should be carried out in accordance with the appropriate codes of practice for the country in which the installation is done.

If aluminium foil is used in the oven, then it must not be allowed to block the oven flue outlet or smother the burner.

Do not spray aerosols in the vicinity of these appliances while they are in operation.

Do not use this appliance to heat the vehicle or craft.

Turn off the grill once the grill pan has been removed.

Be sure appliance taps are closed before opening cylinder valve.

Be sure to apply ignition source to burner before opening appliance valve.

If you wish to drill the sides for your own gimbals you must first remove the right hand side for drilling as there is a gas pipe behind this panel.

When a flexible hose is used do not allow the hose to come into contact with the back panel.

In any communication, it is essential to quote the model and number marked on the data badge on the back of the appliance.

This product is under continual improvement and subject to change without prior notice

INSTALLATION INSTRUCTIONS

This unit should be installed according to the current standards in practice in the country of installation.

BS 5482 :	Part 2 Installations in caravans and non-permanent dwellings Part 3 Installations in boats, yachts and other vessels.
EN ISO 10239:2000:	Small craft - Liquid petroleum gas (LPG) systems
BS 6172 :	Code of practice for installation of domestic gas cooking appliances.

THESE APPLIANCES MUST BE INSTALLED BY A COMPETENT PERSON (e.g. a Gas Safe registered gas fitter)

VENTILATION

Adequate ventilation must be provided to ensure the cooker unit works in a safe and efficient manner. If fixed ventilation is not provided two ventilation openings of 70 cm² (11 square ins) must be provided, one near floor level and one near ceiling level. Do not install cookers and hobs in areas subjected to strong draughts.

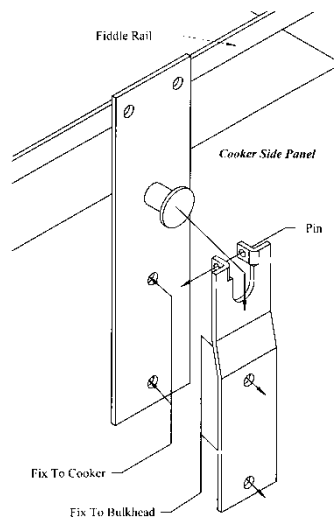
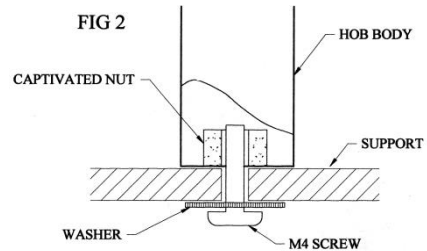
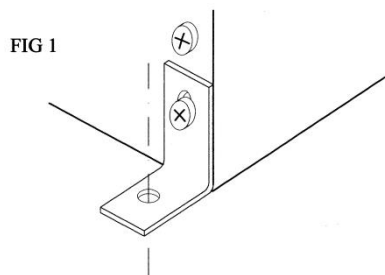
INSTALLATION

This unit must be fixed in place using either the feet or a gimbal system.

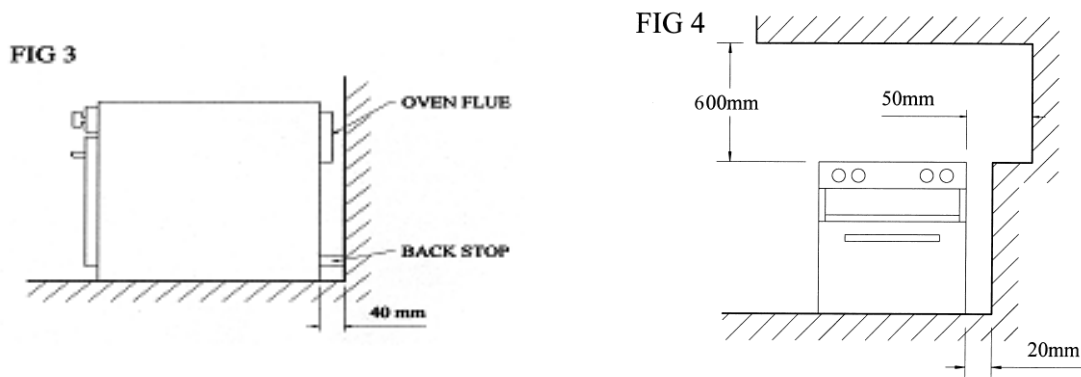
Adjustable feet can be supplied to secure the appliance in position. These are fixed at the existing screw points at each corner of the unit and to the base of the cabinet. (FIG. 1)

The hob only units have captivated nuts fitted to the base. These are to take M4 machine screws. Screw through the unit support to fix the unit in place. (FIG 2)

If using a gimbaling system, ensure the bulk head is of sufficient strength to hold the weight of the unit and that the gas inlet pipe is free to move with the unit and at no time will become stressed



An air gap of 40 mm (1½") must be allowed at the rear of each cooker and a back stop is fitted on oven units to ensure that this gap is maintained. (FIG 3)



There should be no obstruction above the hob burners for a minimum height of 600 mm (24"). (FIG 4)

Where cookers are to be fitted into a recess or built in to a unit an air gap of 20 mm (¾") must be kept at each side (FIG 4). Do not fit the unit such that wall panels extend past the hob height on **both** sides of the unit. Use a non-combustable material for the surround such as 0.5 mm sheet steel.

Ensure that no obstruction to the units air flow is permitted at the base, sides or back. Obstruction of the air flow can cause inefficient combustion in the oven.

The unit should only be installed in the countries indicated on the dataplate using the correct gas at the indicated pressure as detailed below. (Table 1)

Table 1

Category	Gas	mbar	Country
I ₃₊	G30	28	GB,IE,FR,IT,ES,BE
I _{B/P}	G30	30	NL,SE,FI
I _{B/P}	G30	50	DE,AT

The use of a gas cooking appliance results in the production of heat and moisture in the room in which it is installed. Ensure that the kitchen is well ventilated: Keep natural ventilation holes open or install a mechanical ventilation device (mechanical extractor hood).

Prolonged intensive use of this appliance may call for additional ventilation, for example the opening of a window, or more effective ventilation, for example increasing the level of mechanical ventilation where present.

UNIT DIMENSIONS

Measurements	Voyager / Neptune	Pacific	Caribbean	Tasman / Neptune Hob	Gulf
Width (mm)	450	450	450	450	450
Depth (mm)	416	416	416	385	385
Height (mm)	497	417	390	175	110

GAS CONNECTION

These appliances are strictly for use on liquid petroleum gases at the following pressures to the inlet

- 28 mbar (11.2 in w.g.) for Butane (G30)
- 37 mbar (14.8 in w.g.) for Propane (G31)

The gas inlet is located at the rear, top left hand side of the appliance. The gas inlet connection fitting to the appliance should be in accordance with installation requirements according to destination country and gas type as given in EN30-1 table A6. It is recommended that the connecting pipe is, where possible, copper, also that an isolating cock valve is installed in the supply pipe to the unit. For units requiring a flexible pipe a suitable armoured pipe should be used.

Care should be taken during installation to prevent the supply pipe from being held against the back panel of the body.

The unit is fitted with a pressure test point, located next to the connection inlet. To check the supply pressure, remove the screw and fit a pressure gauge.

Once installed the gas connection should be tested for any gas leakage. If a suitable leak detection meter is not available the connections should be tested using a suitable foaming agent (e.g. mild soapy water). DO ensure the area is well ventilated and DO NOT test for a long period; if there is a leak, a build up of gases may occur.

BURNER ADJUSTMENT AND RATES

All burners are supplied ready for use on BUTANE (G30 @ 28 mbar) / PROPANE (G31 @ 37 mbar).

NO ADJUSTMENT OF THE BURNERS IS REQUIRED

Heat Input :

Hob Burner	1.65 kW.
Grill Burner	1.65 kW.
Oven	1.25 kW.

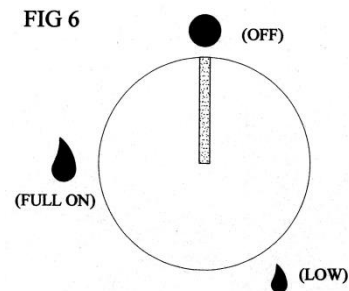
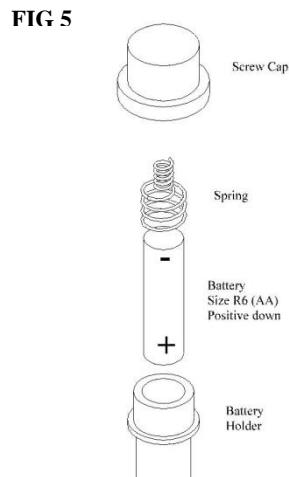
OPERATING INSTRUCTIONS

MAKE SURE THAT THE GAS IS TURNED ON AT THE CYLINDER. IT IS RECOMMENDED THAT A SPARK IGNITION DEVICE IS USED RATHER THAN A NAKED FLAME.

All burners are fitted with a Flame Failure Safety Shut Off Device (FFD). In the event of the flame being extinguished the gas supply will be cut off to the burner.

The flame should be blue although it may have some yellow tipping. The flame height should be level and stable.

To light a burner push in the appropriate knob, rotate anti-clockwise to the full on position (the large flame symbol (FIG 6), setting 8 for the oven valve) and apply a spark to the burner. It should light immediately, but continue to hold the knob in for a further 15 seconds. If the burner goes out when the knob is released repeat the procedure but hold the knob in for longer before releasing. The tap can then be rotated to the desired setting (high through to low). If any of the burners on the appliance are found to have become extinguished then the valve must be switched off and the unit left for a period of 1 minute to allow any unburnt gases to escape, before attempting to re-light the burner. If the oven burner has been extinguished the oven door should be opened as well.



Some models are fitted with a spark ignition system. These use a 1 × R6 (AA) battery. The spark system will only work if the battery is correctly inserted into the holder (Fig 5). The battery holder is located to the bottom right hand side of the cooker. Lighting a burner is as described above. The spark to light the burner is applied by pressing the switch on the front right hand side of the fascia panel.

To turn off the gas, rotate the knob clockwise until you reach the off position (the ● symbol vertically above the knob).

HOBS

Any required setting between full and low/simmer can be obtained by positioning the knob between these two settings. The hob burners are suitable for pan sizes ranging from 10 cm to 22 cm base diameter (4" to 8").

GRILL

CAUTION: Accessible parts may be hot when the grill is in use. Young children should be kept away.

It is recommended that an oven glove is used when using the grill as the grill pan handle may become hot if the pan is placed too far under the grill. It is not necessary to preheat the grill but if a preheat period is used the empty grill pan should be placed under the grill to protect the grill base.

The grill pan trivet is reversible giving a choice of two grilling heights

OVEN

The best results will be obtained by pre-heating the oven for about 15/20 minutes at the required gas setting. The tap has 8 marked settings which correspond to the temperature given below. Intermediate temperatures can be obtained by turning the knob to the appropriate setting.

The oven will cook a wide range of food from a rich fruit cake, using a low setting to bread or Yorkshire pudding using the higher settings. A simple table is given for cooking some basic items on the middle shelf but do not hesitate to experiment with your oven as you vary the quantities and types of food you are cooking.

Setting 1	110°C
Setting 2	130°C
Setting 3	150°C
Setting 4	170°C
Setting 5	190°C
Setting 6	210°C
Setting 7	230°C
Setting 8	250°C

COOKER ACCESSORIES (Supplied according to model)

Pan Support - The pan support is located in 4 studs on the main hob. The pan support is sprung into place to prevent rattling.

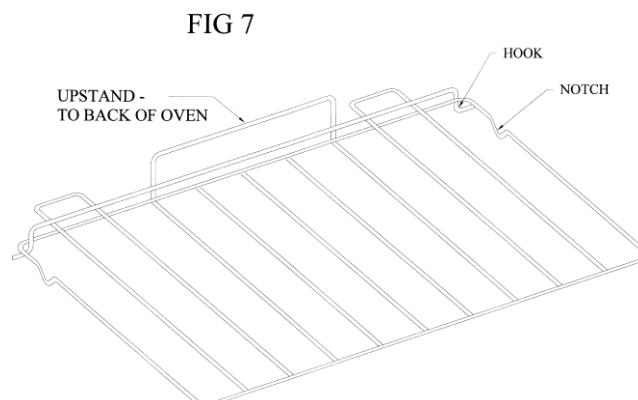
Oven Shelf - To fit an oven shelf, place the upstand on the shelf to the back of the cooker, ensuring that the two hooks pass under the oven shelf runners and lift the notches above the runners. If the shelf is correctly fitted it will not tip when pulled forward. (FIG 7)

Door Catch - Certain cookers are fitted with a door catch which is fitted to the side of the unit. This will catch the door when closed and the door can then be opened by pushing the catch with a finger or thumb.

Baking Tray

Grill Pan and Trivet

Feet - Used to fix the unit in place. See the installation instructions at the front of the booklet.



CLEANING

1. Each time the hob has been used it should be wiped over with a damp cloth and if greasy a little mild liquid cleaner.
2. Stubborn marks can generally be removed with one of the commercial cleaners. Do not use harsh abrasive materials as these will leave scratch marks.
3. The interior of the oven should be cleaned with a damp cloth but if it becomes necessary to use a cleaner then choose one which is approved for Vitreous Enamel.
4. All spillages should be wiped up immediately before they "burn on".

We recommend that you occasionally remove the enamelled top to your burner and clean the cap and burner ring ensuring the flame ports are free from dirt and grease. When reassembling, the fixing screw should only be finger tight. Over tightening may cause the screw to seize in place.

If properly adhered to, these few simple suggestions should extend the life of your cooker.

MAINTENANCE

Before attempting any maintenance work make sure that the gas supply is turned off at the cylinder and disconnected from the unit. If the spillage tray is removed care must be taken to ensure that the gas joints are not stressed as this may result in a gas leak. **NO GAS JOINT SHOULD BE BROKEN.**

The gas valves fitted to this unit are not to be stripped for re-greasing or maintenance purposes. If required, the whole of the valve must be replaced. If any part of the gas system on appliance needs servicing or replacement this work should be carried out by a competent person (e.g. a Gas Safe registered fitter).

It is recommended that this appliance is professionally serviced every 2 years.

SPARE PARTS

Description	Part No.
Oven Thermocouple	180-1
ECO Hob Thermocouple	181-4
Grill Thermocouple	181-2
Tap Knob 3254	252-1
Oven Shelf	212-1
Pan Support	213-1
Door Seal	237-1

It is essential that you quote the DATA PLATE details (on rear of cooker) and the model type when ordering spares

If the appliance does not operate correctly
contact your supplier

Or

Navimo UK Ltd, Hamilton Business Park, Hedge End, Southampton, Hants, SO30 2HE.
Tel : 01489 778850 Fax : 0870 751 1950 E-mail : sales@plastimo.co.uk